

## HyperLink 2.4 GHz 17 dBi 120 Degree Sector Panel Wireless LAN Antenna Model: HG2417P-120 (Now ANATEL® APPROVED)

### Applications and Features

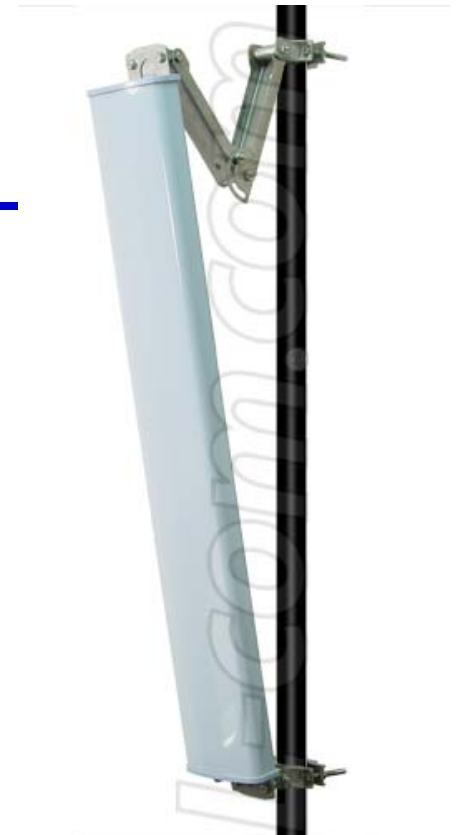
#### Applications:

- 2.4 GHz ISM Band
- IEEE 802.11b and 802.11g Wireless LAN
- Bluetooth®
- Public Wireless Hotspot
- WiFi
- Wireless Video Systems
- Wireless Internet Provider "cell" sites

#### Features:



- Now ANATEL® Approved in Brazil
- Superior performance
- All weather operation
- 120° beam-width
- 20° Down-Tilt Mounting Bracket
- Includes Mast Mounting Hardware
- Integral N-Female Connector
- RoHS Compliant



### Description

#### Superior Performance

The HyperGain® HG2417P-120 Sector Panel WiFi Antenna combines high gain with a wide 120° beam-width. It is a professional quality "cell site" antenna designed primarily for service providers in the 2.4GHz ISM band. Applications include IEEE 802.11b and 802.11g wireless LAN systems.

#### ANATEL® APPROVED

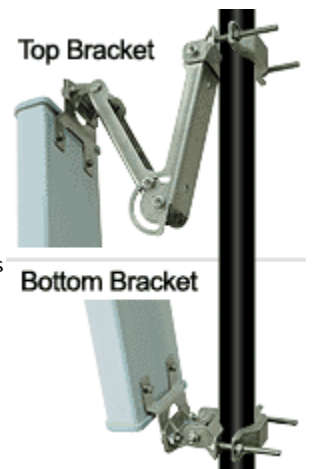
This antenna has been homologated (tested) in Brazil and is ANATEL® APPROVED for all installations in Brazil. This is another antenna in a series of L-com antennas certified for installation and use throughout Brazil.

#### Rugged and Weatherproof

This antenna features a heavy-duty plastic radome for all-weather operation. The mounting system adjusts from 0 to 20 degrees down tilt.

#### Ideal for Wireless Internet "Cell" Sites

This WiFi antenna is an ideal choice for Wireless Internet Provider "cell" sites since the cell size can be easily determined by adjusting the down-tilt angle. Horizontal coverage is a full 120 degrees.



**Specifications**

**Electrical Specifications**

<b>Frequency</b>	2400-2500 MHz
<b>Gain</b>	17 dBi
<b>Horizontal Beam Width</b>	120 degrees
<b>Vertical Beam Width</b>	6.5°
<b>Impedance</b>	50 Ohm
<b>Max. Input Power</b>	250 Watts
<b>VSWR</b>	< 1.3:1 avg.
<b>Connector</b>	N Female
<b>Lightning Protection</b>	DC Short

**Mechanical Specifications**

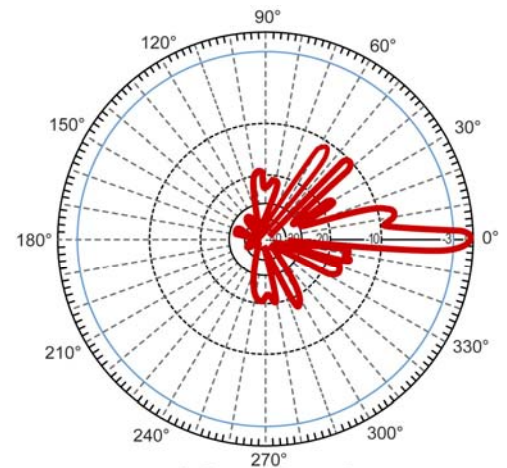
<b>Weight</b>	10 lbs. ( 4.54 Kg)
<b>Dimensions</b>	39 x 6 x 2.5 inches (99 x 15.3 x 6.4 cm)
<b>Radome Material</b>	UV-Inhibited Polymer
<b>Operating Temperature</b>	-40° C to 85° C (-40° F to 185° F)
<b>Mounting</b>	2 inch (5 cm) O.D. pipe max.
<b>Polarization</b>	Vertical
<b>Down tilt (mech)</b>	0 to 20 degrees (adjustable)
<b>Compliant</b>	ANATEL® and RoHS

**Wind Loading Data**

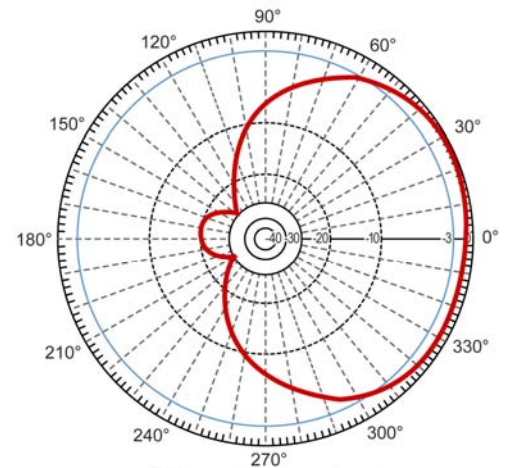
<b>Wind Loading</b>	<b>Front Surface</b>	<b>Side Surface</b>
<b>Area</b>	1.63 sq. ft. (.15 sq. meters)	0.68 (.06 sq. meters)
<b>@ 100 MPH (161 KPH)</b>	74 lbs. (33.5 Kg)	35 lbs. (15.8 Kg)

**Guaranteed Quality**

This product is backed by L-Com's Limited Warranty



**Vertical**



**Horizontal**